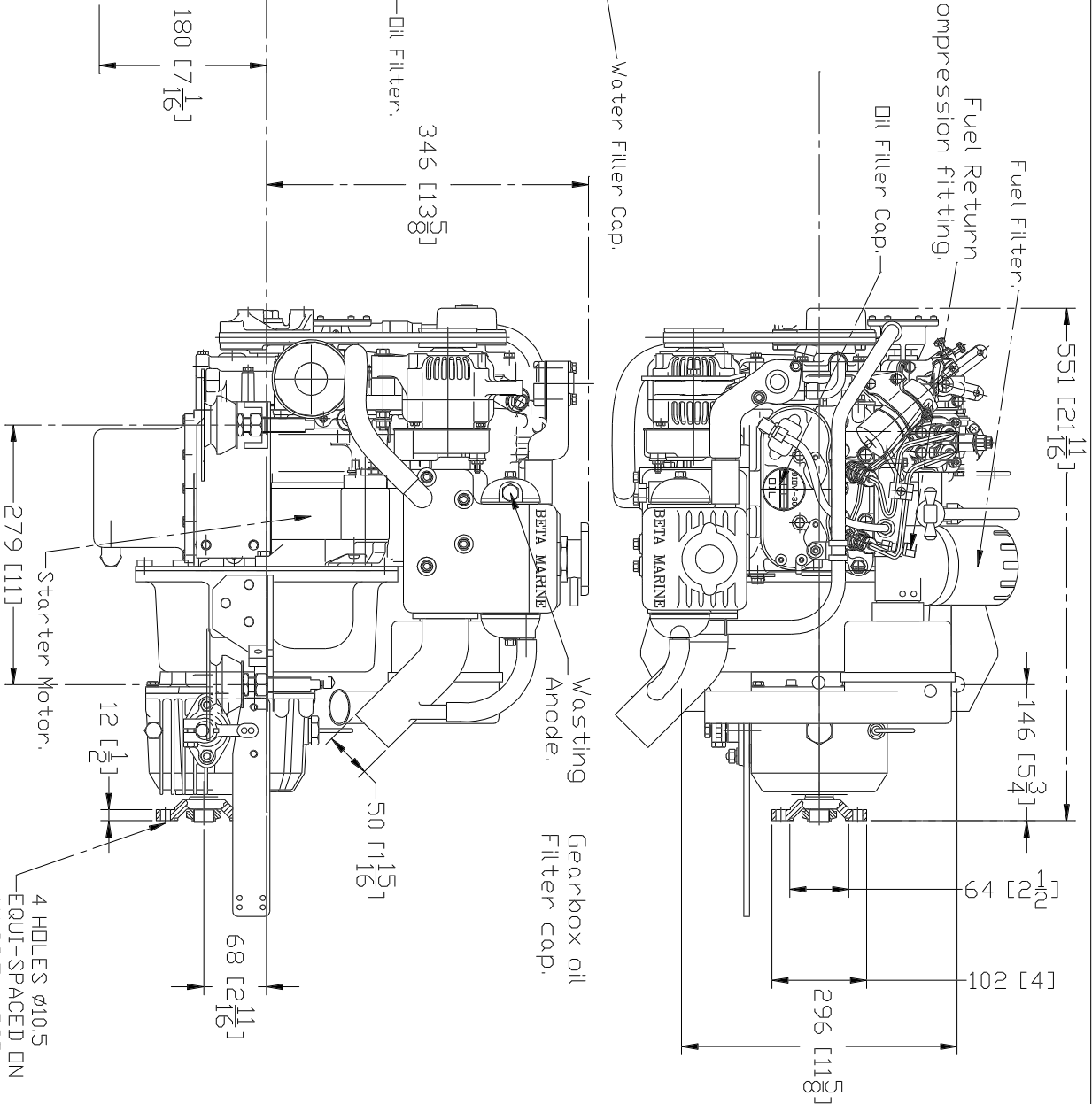
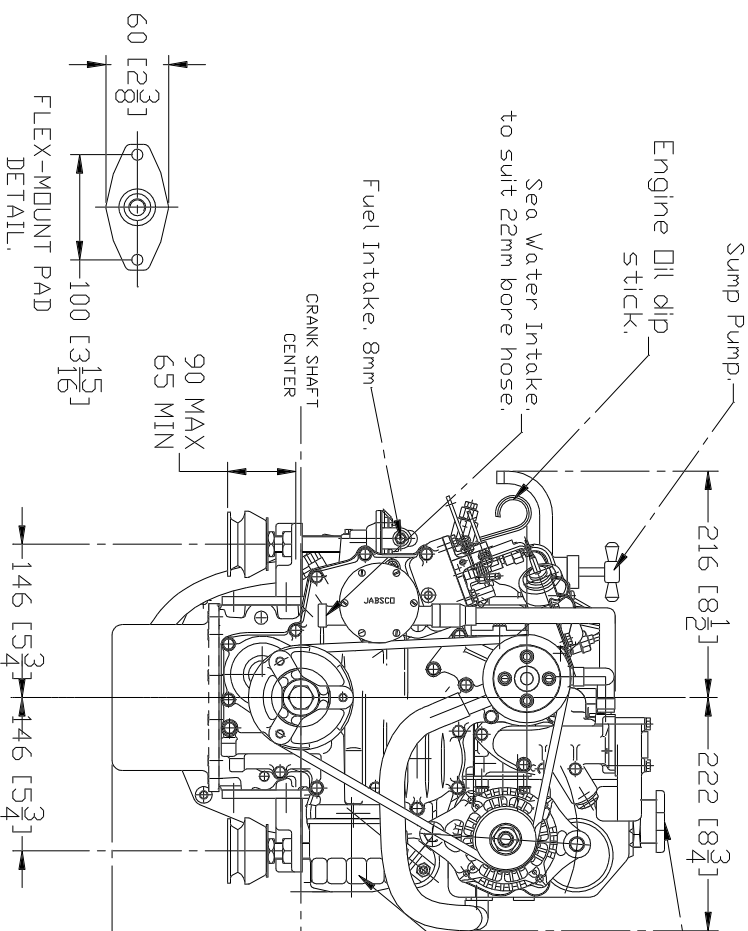
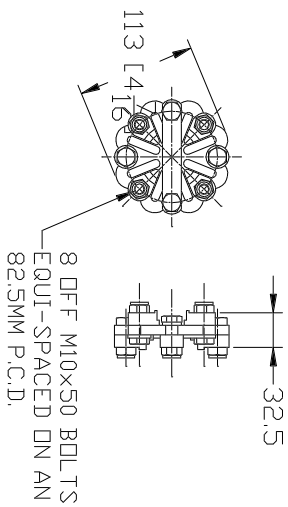


DETAIL OF FLEXIBLE COUPLING



REV	DESCRIPTION	DATE	APP'D
01	ADDED MOUNTS	29/06/04	LT

NOTES
ATOMIC 4 REPLACEMENT ENGINE
Dimensions are in mm (inches to nearest 1/16")

COMPLETE UNIT	TITLE
	BZ482 - H/B - TMC 40 ATOMIC 4

BETA MARINE

DRAWN BY:- T.WATTS
CHECKED BY:- L.F.T

SIZE DWG NO. 100-01973
SCALE NTS
DATE 26/01/01
REV 01