

REV	DESCRIPTION	DATE	APP'D	DRAWN	NOTES
01	CHANGED KEY SWITCH	05/09/08	LT	TW	

TITLE ABV PANEL

DIMENSIONS IN MM (INCH)  
DO NOT SCALE

**BETA MARINE**

BETA MARINE LTD,  
DAVY WAY,  
WATERWELLS,  
QUEDGELEY, GLOUCESTER,  
GL2 2AD, U.K.

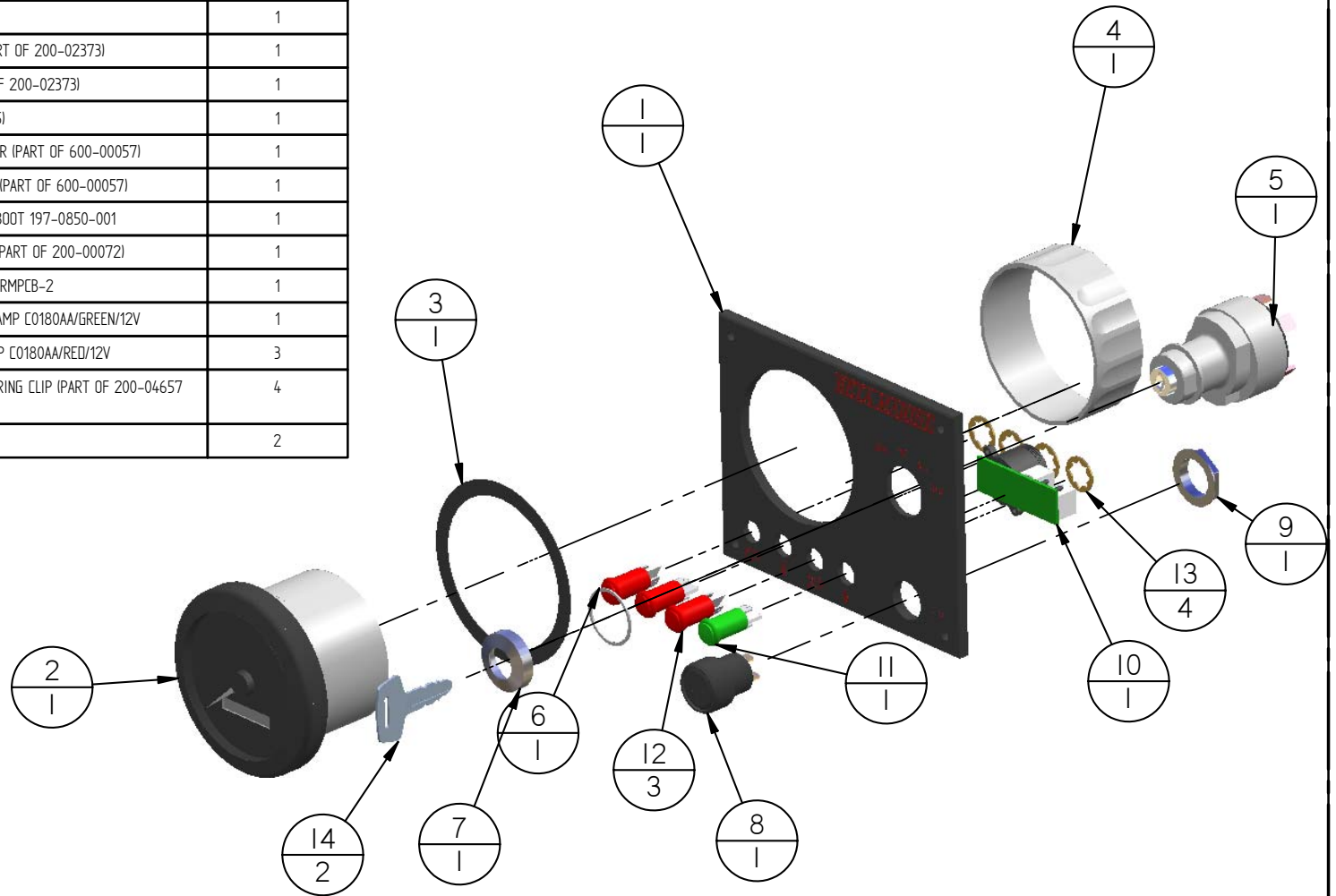
DRAWN BY:- timw  
CHECKED BY:- LT

SIZE A4  
DWG NO. 200-06320/01  
SCALE NTS  
PAGE 2 of 2

REV 00  
DATE 05/10/2007

TEL: (01453) 835282 FAX: (01453) 835284

Item Number	Document Number	Title	Quantity
1	200-06320-01	PANEL FACE ABV	1
2	200-02373	VDO TACHO	1
3	N/A	TACHO WASHER (PART OF 200-02373)	1
4	N/A	TACHO NUT (PART OF 200-02373)	1
5	600-00057/01	KEY SWITCH (KIT 75)	1
6	N/A	KEY SWITCH WASHER (PART OF 600-00057)	1
7	N/A	KEY SWITCH BEZEL (PART OF 600-00057)	1
8	200-00072	PUSH BUTTON AND BOOT 197-0850-001	1
9	N/A	PUSH BUTTON NUT (PART OF 200-00072)	1
10	200-04655	ALARM PCB 197-ALARMPCB-2	1
11	200-04656	GREEN INDICATOR LAMP C0180AA/GREEN/12V	1
12	200-04657	RED INDICATOR LAMP C0180AA/RED/12V	3
13	N/A	INDICATOR LAMP SPRING CLIP (PART OF 200-04657 AND 200-04656)	4
14	600-00058/01	KUBOTA KEY	2



REV	DESCRIPTION	DATE	APP'D	DRAWN
01				

NOTES

TITLE  
**ABV PANEL**

DIMENSIONS IN MM (INCH)  
DO NOT SCALE



MATL:

**BETA MARINE**

BETA MARINE LTD.  
DAVY WAY,  
WATERWELLS,  
QUEDGELEY, GLOUCESTER,  
GL2 2AD, U.K.

DRAWN BY: timw  
CHECKED BY: LT

SIZE  
A4

DWG NO. 200-06320/01

REV 00

TEL: (01453) 835282 FAX: (01453) 835284

SCALE NTS

PAGE 1 of 2 DATE 05/10/2007